

API capabilities and demo

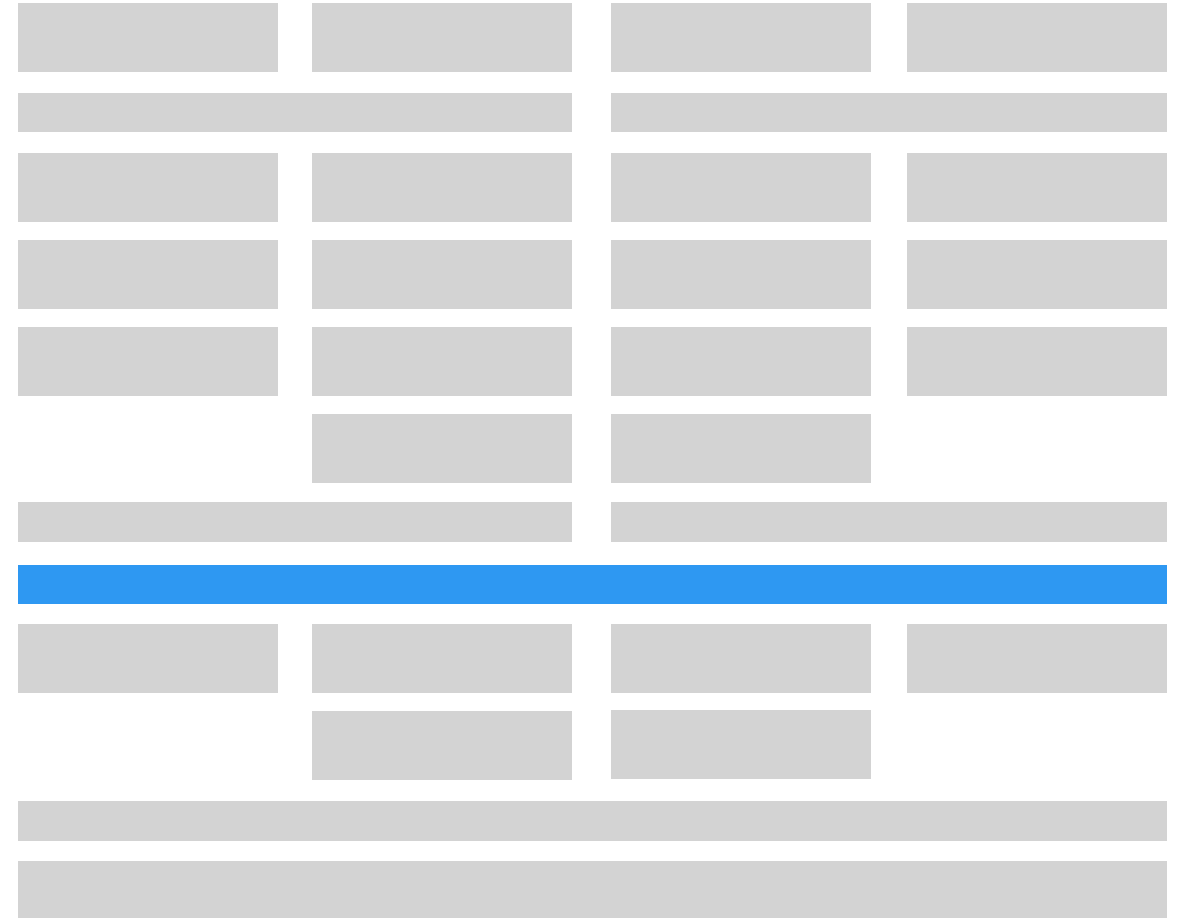
강지훈
사니어 컨설턴트

Ericsson Private 5G Integration into the Enterprise

- EP5G is built to support existing IT & OT practices
- Provide IT centric management and configuration options
- Expose APIs for automation and integration IT & OT processes

The enterprise digitalization

- Enterprises are building digitalization platforms to enable and accelerate business case implementations
- The platforms are API driven
- Use-cases and process are automated by stitching the functionalities of the platform together
- The platforms typically stretches both cloud and on-prem data centers
- Connectivity is an important but small part of that platform



Our ecosystem partnerships



Devices and hardware



Machinery OEMs and companies are providing chipsets, modules, gateways, sensors and IT infrastructure that enable cellular connectivity

Software and applications



Application developers, independent software vendors (ISVs) and hyperscale cloud providers developing and selling offerings that reside in any of the IT layers of the enterprise

Professional services



System integrators, business advisors and test houses with offerings and services for installing and running a network

EP5G 1.0 API Functionality

IMSI Management

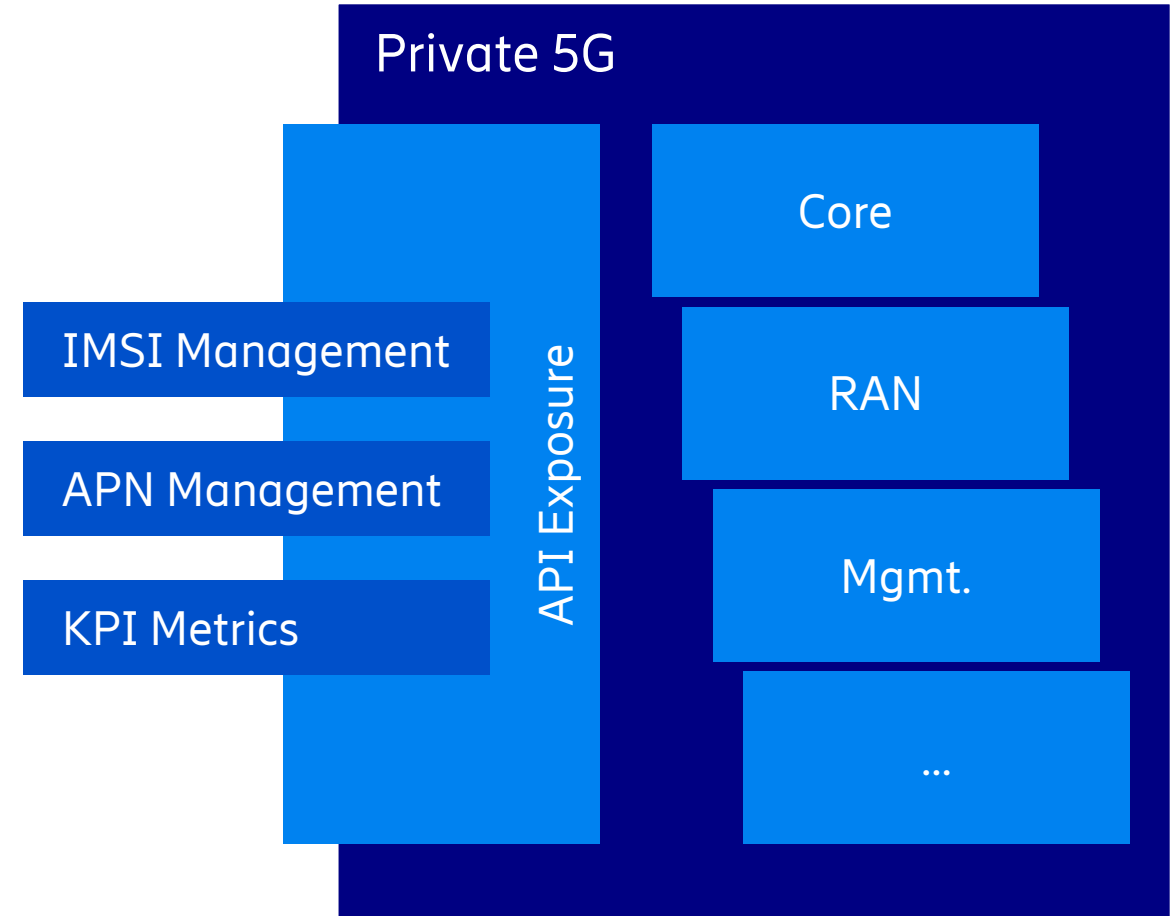
- CRUD
- Write SIM

APN Management

- CRUD
- QoS
- Network segmentation (IP subnet + vLANs)

KPI Metrics

- System performance & load



EP5G Provisioning API

- Allows for bulk and individual IMSI provisioning
- Highly performant, provision 100+ IMSIs per call in seconds
- Access to on-prem SIM-writer if attached to Network Controller
- Same provisioning function for LTE & 5G



IMSI API Functions:

IMSI

- List IMSIs
- Update IMSI
- Create IMSI
- Get next IMSI
- Show IMSI
- Delete IMSI
- Show IMSI data usage
- IMSI-IMEI Binding

SIM

- Show SIM card
- Write SIM card

EP5G APN/DNN API

- Manage DNN/APNs
- Define IP subnet per DNN/APN
- Set QoS (QCI) per DNN/APN
- Assisting functions to avoid IP subnet and address overlaps

APN API Functions:

APN

- List APNs
- Update APN (incl. QoS setting)
- Create APN (incl. QoS setting)
- Get next CIDR
- Check overlap
- Show APN
- Delete APN
- Get next IP



Introduction

Authentication

APN

List APNs

Update APN

Create APN

Get next CIDR

Check CIDR overlap

Show APN

Delete APN

Get next IP

IMSI

List IMSIs

Update IMSI

Create IMSI

Get next IMSI

Show IMSI

Delete IMSI

Show IMSI data usage

SIM

Show SIM card

VLAN

List VLANs

Show VLAN

Authentication

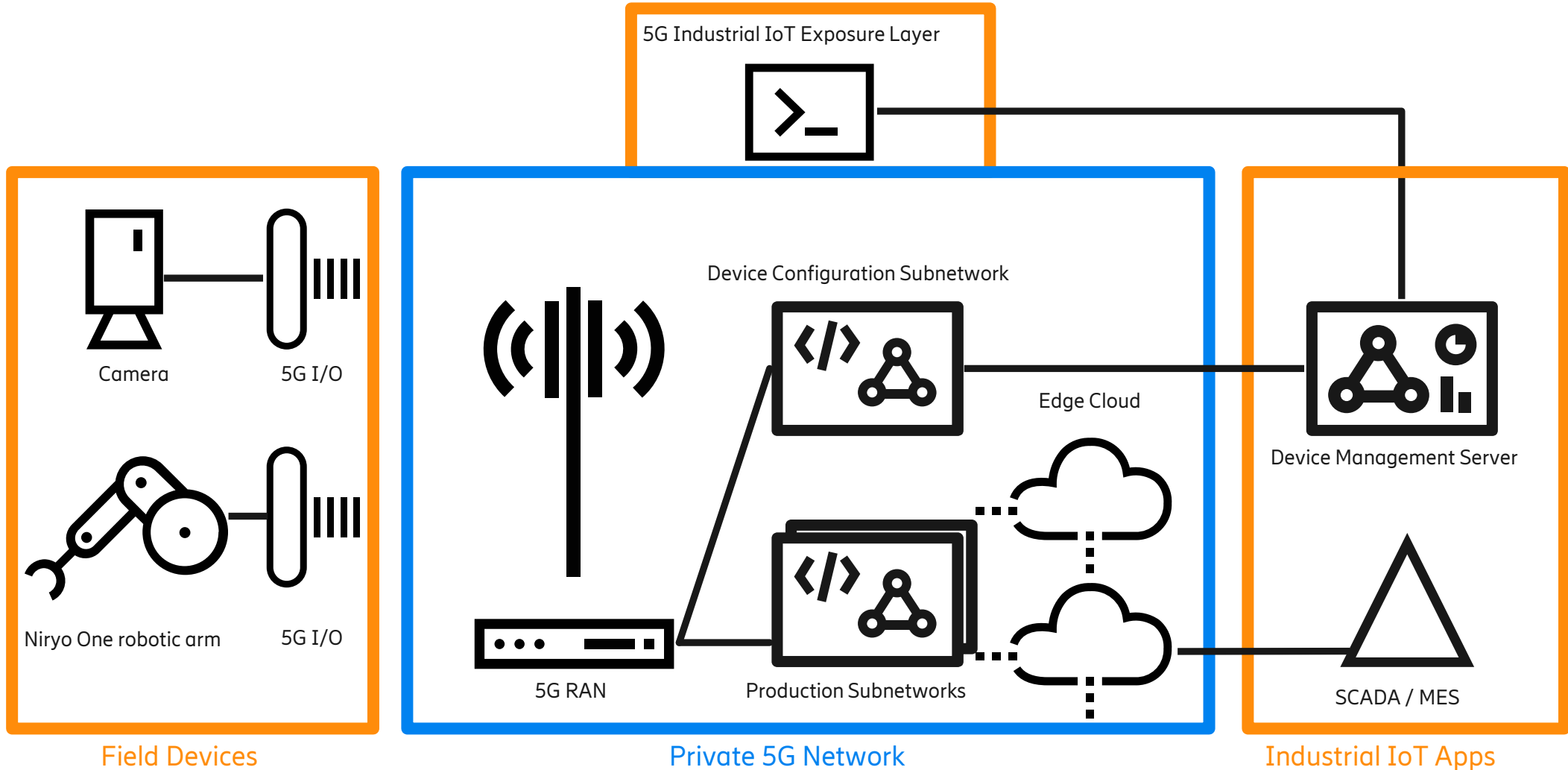
To authenticate calls to the API, an API Key is needed. This can be requested from the system administrator of Ericsson Private 5G. The API Key needs to be presented as the HTTP header X-Api-Key in each request. The base URL, organization ID, and site ID of the targeted system is also needed, to correctly build the complete request URL. All required access details (key, URL, organization ID & site ID) can be generated by the system administrator through the Ericsson Private

Javascript Example:

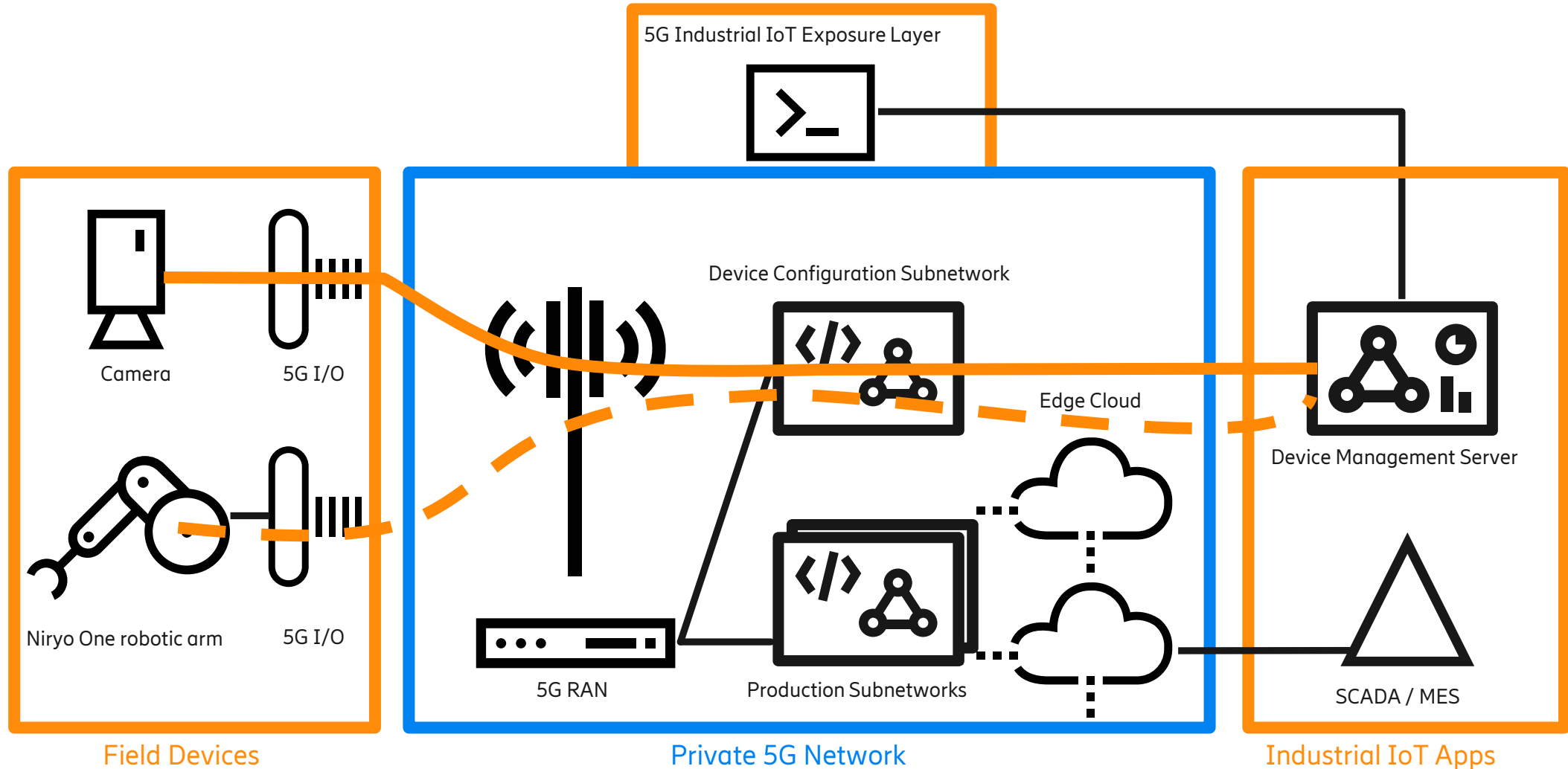
```
const orgId = 'org1';
const siteId = 'site1';
const key = 'ABCD1234';
const url = 'https://eu.private5g.ericsson.net/public/v2';

fetch(`${url}/organization/${orgId}/site/${siteId}/epc/imsi`, {
  method: 'GET',
  headers: { 'X-Api-Key': key }
}).then(response => response.json())
```

Demo Setup



Demo Setup



Demo Setup

